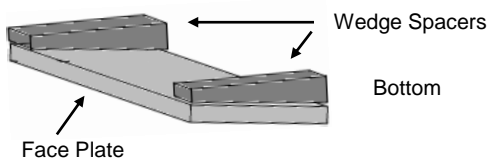
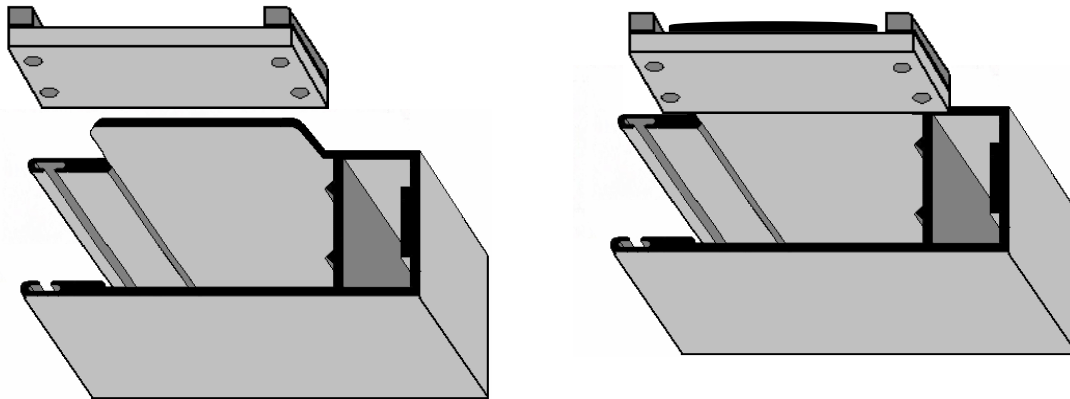


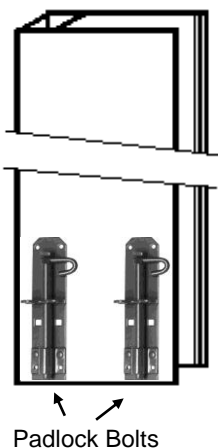
Installation Recommendation for Removable Post

To achieve a Removable Post situation with Channel-It™ & Channel X you need to be able to permanently fix the Brackets or Head Box with room underneath to temporarily fix the Side Channels.

One method of achieving a Removable Post is by cutting out the Side Channel profile to create a Tongue Shape. Also creating a slot just below the Brackets or Head Box for the Tongue to match up with.



When creating the slot (Face Plate & Spacers) for the Side Channel Tongue to slide into, make the Spacers Wedge Shape. This allows the Tongue to slide in easier at an angle.



One method of securing the Side Channel to the ground is by using Padlock Bolts which you rivet to the bottom of the Side Channel.

Therefore; after sliding the Side Channel (Tongue) into the 'Wedge slot', secure the Side Channel to the ground with the Padlock Bolts. (Holes need to be drilled into the ground to secure the bolts.)

